

BELLINI
BARRY IMPORTS EAST CO.
165 OVAL DRIVE
ISLANDIA NY 11722 USA

BELLINI
CAL - LINDA IMPORTS INC.
2216 A AGATE COURT
SIMI VALLEY CA 93065 USA

INSTRUCTION FOR ASSEMBLING CRIB MODELS

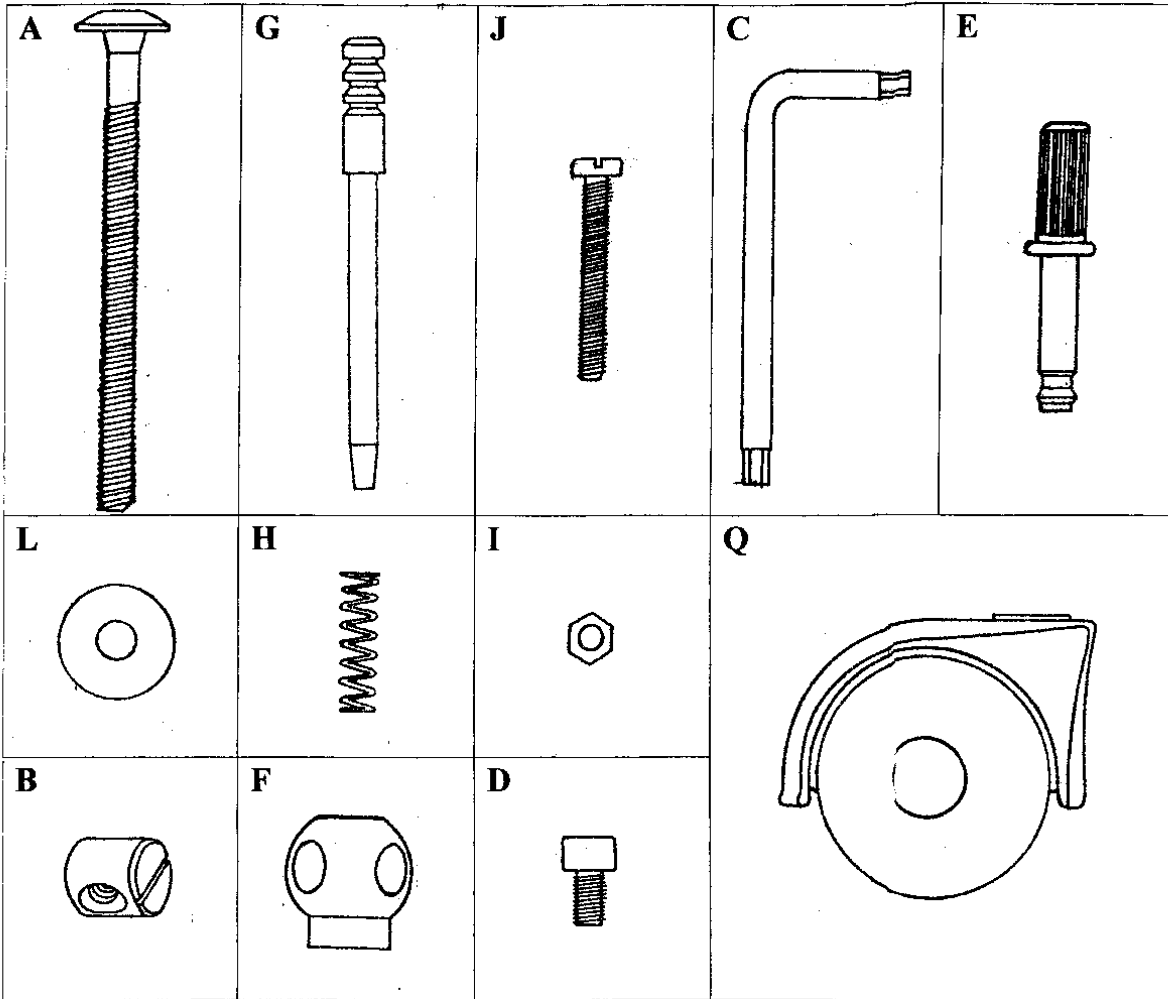
KATIE	3000	CIELO	4000
ANNIE	3100	MILANO	2000
DANI / ALLEGRO	3300	NATALIE	2001
NICOLA	3500	VANESSA	2002
CHLOE	3700		

This crib has been designed for your child's comfort and your convenience. Quality material and workmanship have gone into this crib, which will provide a sound and comfortable bed for your baby if properly assembled and maintained. For the security of your child and your own peace of mind be sure to follow the assembly instructions exactly. A periodic check should be made of all screws and tighten if needed.

Moisture and heat are harmful to finish materials, for this reason use caution when a vaporizer is in use.

Some types of soft plastic toys that come into contact with finish materials could also be harmful to the finish on your furniture.

HARDWARE DIAGRAM



TOOLS REQUIRED FOR ASSEMBLY:

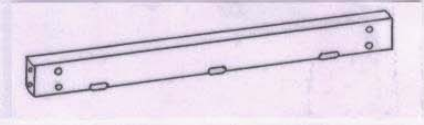
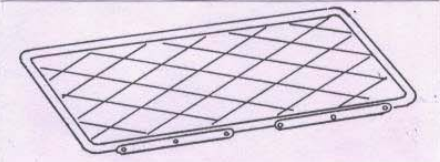
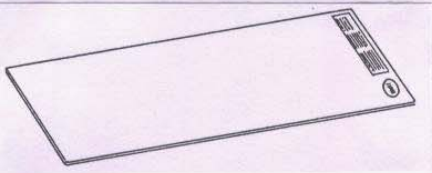
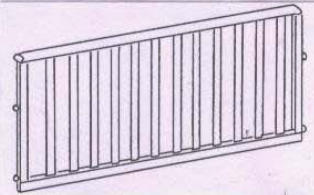


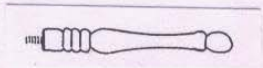

METRIC ALLEN WRENCH	(INCLUDED)
STANDARD SIZE SCREWDRIVER	(NOT INCLUDED)
PLIERS	(NOT INCLUDED)
HAMMER	(NOT INCLUDED)

HARDWARE

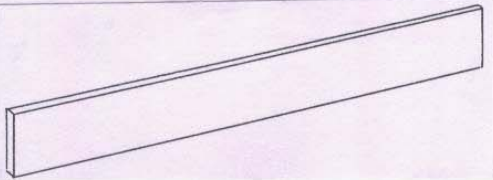
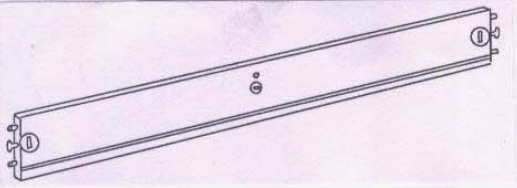
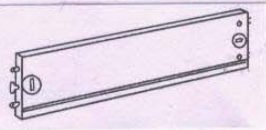
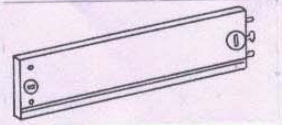
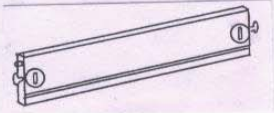
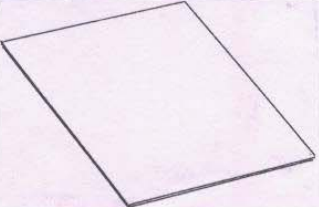
QUANTITY

A	-	3" BOLTS	8
B	-	NUTS	8
C	-	ALLEN WRENCH	1
D	-	1/2" MACHINE SCREWS	4
E	-	CASTER STUD	4
F	-	PLASTIC RELEASE KNOBS	4
G	-	METAL PINS	4
H	-	SPRINGS	4
I	-	STUD NUTS	8
J	-	1 3/8" FLAT HEAD MACHINE SCREWS	8
L	-	PLASTIC ROUND WASHERS	8
Q	-	CASTER	4

ADDITIONAL PARTS (Not scale drawing)

DRAWING	QUANTITY	DESCRIPTION
	2	(K) STABILIZER BAR APROXIMATE SIZE 24 1/4 x 2 3/4
	1	(M) CRIB SPRING
	1	(S) DUST COVER (THIN MASONITE BOARD)
	2	(N) CRIB DROPSIDE
	2	(O) CRIB ENDS (HEADBOARD FOOTBOARD)
	2	(V) CRIB DRAWER GUIDES
	4	(R) CORNER POSTS (ONLY ON SOME MODELS)
	4	(U) BUN FOOT (ONLY ON SOME MODELS)

ADDITIONAL PARTS (Not scale drawings)

DRAWING	QUANTITY	DESCRIPTION
	1	DRAWER (F) FRONTAL ELEMENT
	2	DRAWER (A) BACK ELEMENT
	1	DRAWER (B) LEFT LATERAL ELEMENT
	1	DRAWER (C) RIGHT LATERAL ELEMENT
	1	DRAWER (D) CENTRAL ELEMNT
	2	DRAWER (E) MASONITE BOARD

ASSEMBLY INSTRUCTIONS

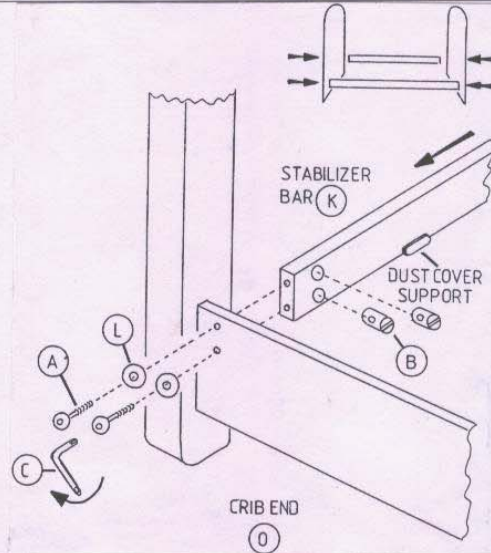
STEP 1 :

Lay out all of the parts enclosed in the hardware bag. (Check quantities as noted in parts diagram)

STEP 2 :

TO INSTALL STABILIZER BARS (K) see diagram 1. Make sure that 2 dust cover supports are at bottom of stabilizer bars (K). Insert nuts (B) into pre-drilled holes on the inside of stabilizer bars (K). Use screwdriver to hold notches horizontal. Then insert bolts (A) through washer (L) and then through pre-drilled holes in crib end (O), and also through the pre-drilled holes in the end of the stabilizer bar (K). Using the metric allen wrench (C) (included with the hardware), tighten the bolts (A). Repeat above so that all 8 bolts (A) are tightened securely (2 on each side of both crib ends (O)).

DIAGRAM 1



STEP 3 :

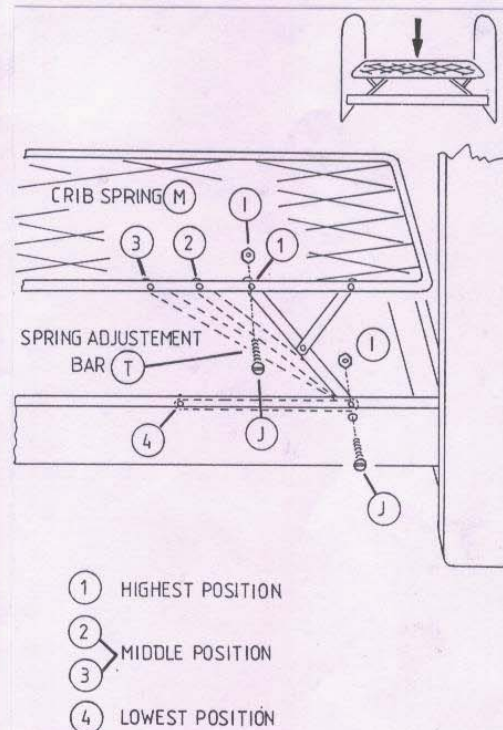
LIE DUST COVER on top of dust cover supports, on inside of the stabilizer bars (K)

STEP 4 :

TO INSTALL CRIB SPRING (M) see diagram 2. Insert one flathead machine screw (J)(1 3/8") into pre-drilled hole in stabilizer bar and also through hole in spring adjustment bar (T). Then tighten with nut (I) using pliers to hold nut. Insert another flathead machine screw (J)(1 3/8") into one of the 3 pre-drilled holes in the side of the crib spring (M). Repeat for other 3 corners of crib spring (M)

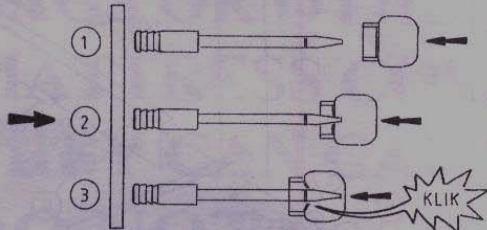
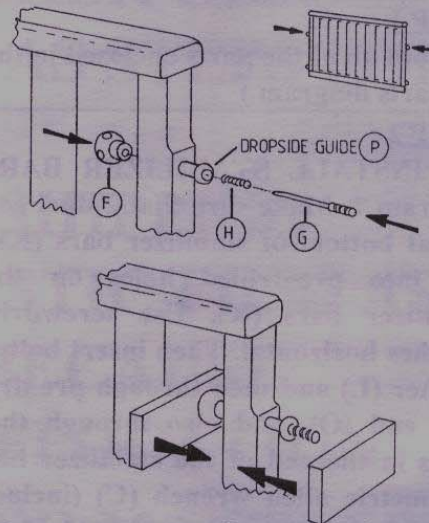
The outside hole will put crib spring (M) at its highest position (see 1 in diagram 2). To lower crib spring (M) move spring (see 2 in diagram 2) and fasten in the same manner as for highest position. Repeat for other three spring's corners. To obtain lowest crib spring (M) position, remove flathead machine screw (J) from crib spring and move spring adjustment bar (T) all the way down inside stabilizer bars (K)(see 4 in diagram 2). Crib spring (M) will then rest on top of stabilizer bars (K). When you want to lower the crib spring from the highest position to the lowest one, you must remove the 4 top screws + nuts from the top of crib spring

DIAGRAM 2

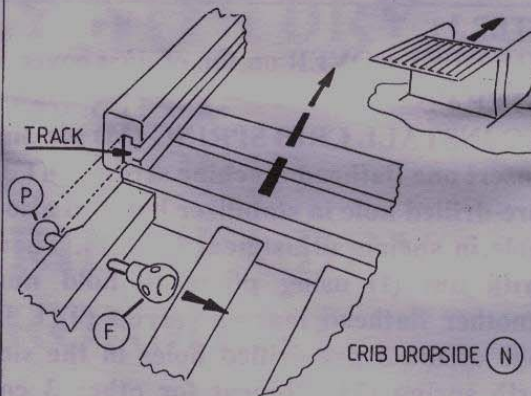


STEP 5 :

TO INSTALL PLASTIC RELEASE KNOB (F) see diagrams 3 and 4. Place metal pin (G) into spring (H). Insert both pin (G) and spring (H) through pre-drilled opening in crib dropside (N). Then press plastic release knob (F) all the way into the end of the metal pin (G) which protrudes through the hole in the crib dropside (N) until it locks on, making a click ! (see here down)

DIAGRAM 4**DIAGRAM 3****STEP 6 :**

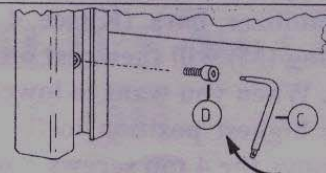
TO INSTALL DROP SIDE (N) see diagram 5. Place on its side. Insert the crib dropside guide (P) nearest the top of the crib dropside into the bottom of the track on both sides of the crib ends (O) simultaneously. Push crib dropside (N) upward holding the plastic release knob (F) as far out as possible. Continue pushing crib dropside (N) upward, until you can insert the bottom crib dropside guide (P). Release plastic release knobs (F) and continue pushing the crib dropside (N) up until it locks into position. To move crib dropside (N) up higher slightly raise crib, side and then pull out plastic release knob (F), and continue pushing up crib dropside (N) while releasing plastic release knob (F), until crib dropside (N) locks into the next position. There are two locking positions for crib dropside (N). To lower crib dropside (N) slightly raise it, and then pull out plastic release knobs (F). Then slide down the crib dropside.

DIAGRAM 5**STEP 7 :**

Place crib on other side and attach the other crib dropside in the same manner as per step 6

STEP 8 :

Screw in 1/2" machine screw (D) into holes at the base of the legs (in groove), using the metric allen wrench (C). This will prevent crib dropside, from being lowered to an unsafe position. These screws (D) should only be removed to disassemble crib.

DIAGRAM 6

STEP 9 :

TO INSERT CASTOR see diagram 7. With crib still on its side, use a hammer to gently tap in castor studs (E) (fat end first) into the hole in the bottom of each crib leg, located at bottom of each crib headboard (O), until the entire ridged portion is inside the hole. Then gently tap on the castor (Q) onto the exposed portion of the stud (E)

IMPORTANT NOTE :

On models with removable bun feet (U), screw on bun foot (U) first. Then, if you wish to use castors (T), when are optional, follow step 9. (See diagram 8)

DIAGRAM 7

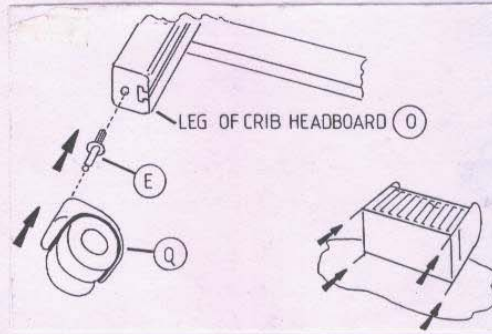
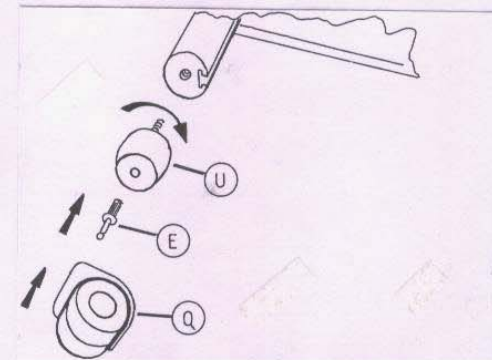


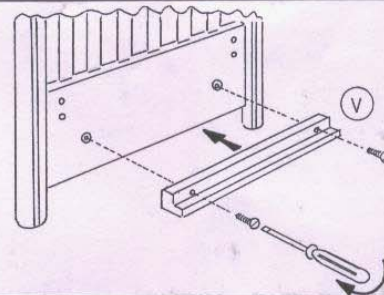
DIAGRAM 8



STEP 10 :

TO INSTALL CRIB DRAWER GLIDES (V) see diagram 9. Screw on crib drawer glides (V) onto the base of the crib end (O) using a screw driver. Follow separate crib drawer (W) assembly instructions and then slide completed drawer onto crib drawer glides, below both the side rail (N) and the stabilizer bar (K).

DIAGRAM 9



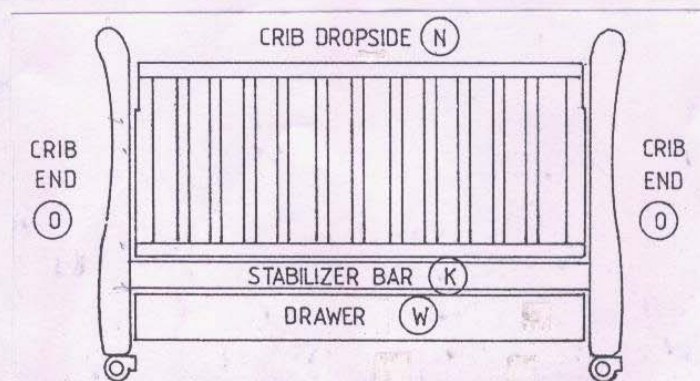
STEP 11 :

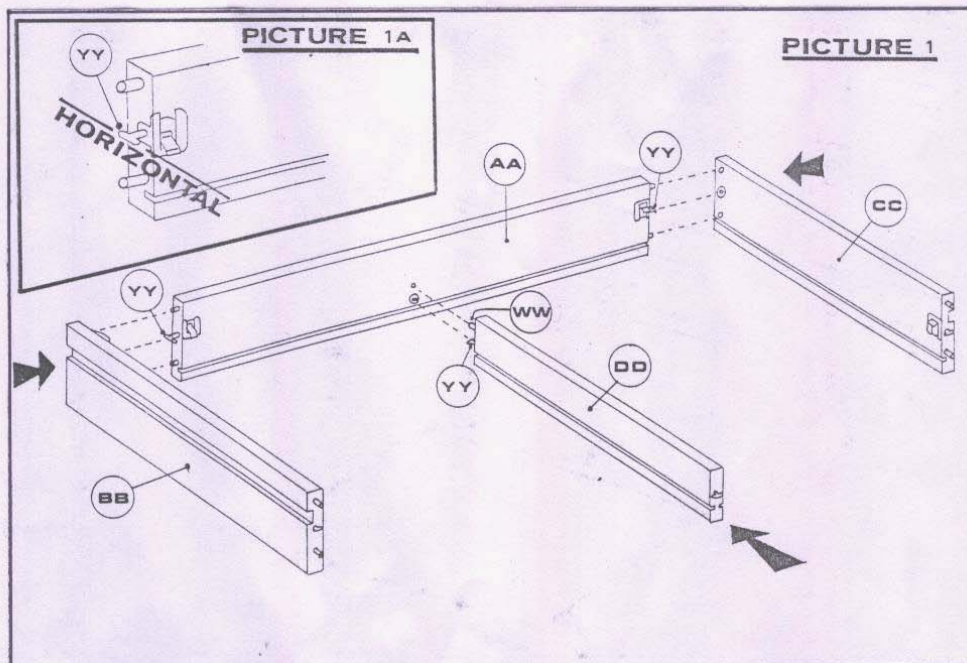
On models with corner posts (R) screw on posts each top corner on both crib headboards (O)

OUR CRIB IS NOW COMPLETELY ASSEMBLED AND READY FOR USE !

FINAL LOOK

Our crib is now completely assembled for use !





DRAWER ASSEMBLY DIRECTIONS

PICTURE 1

MAKE SURE THAT METAL HOOKS (YY) ON BOTH EXTREMITIES OF THE BACK ELEMENT (AA) ARE IN THE HORIZONTAL POSITION AS SHOWN IN THE PICTURE ON THE UPPER LEFT ("1A"). THEN JOIN TOGETHER THE BACK ELEMENT (AA) WITH LEFT ELEMENT (BB) AND RIGHT ELEMENT (CC), THE CENTRAL ELEMENT (DD) HAS TO BE INSERTED INTO THE BACK ELEMENT (AA) ON THE SIDE THAT HAS THE WOODEN DOWEL (WW)

PICTURE 2

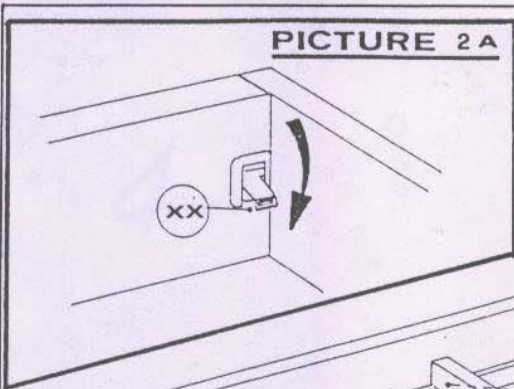
LOCK THE LITTLE METAL HAND LEVER (XX) AS SHOWN IN THE PICTURE IN THE UPPER LEFT "2A", ON THE NEXT PAGE. THEN INSERT THE TWO BOTTOM PANELS (EE) IN THE PROPER GROOVES, (SEE PICTURE 2 ON THE NEXT PAGE)

PICTURE 3

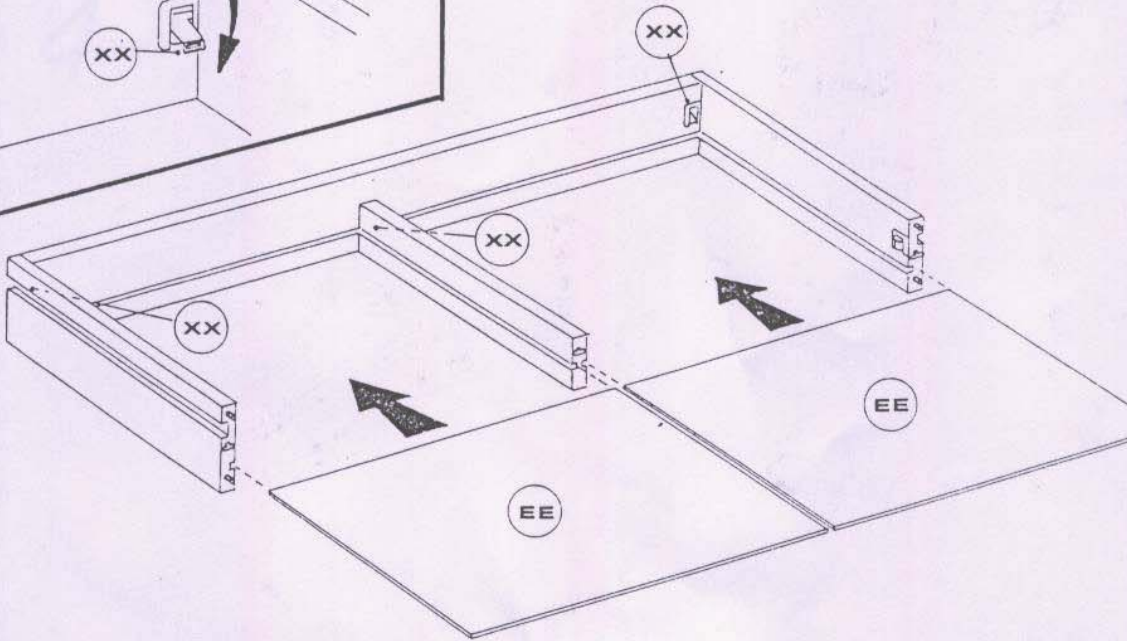
MAKE SURE THAT THE METAL HOOKS (YY) ARE IN THE HORIZONTAL POSITION AS SHOWN IN PICTURE "1A" ABOVE. JOIN TOGETHER THE DRAWER FRONT (FF) TO THE OTHER ASSEMBLED PARTS. LOCK THE LITTLE METAL HAND LEVER (XX) AS SHOWN IN PICTURE "2A" ON THE NEXT PAGE.

YOUR DRAWER IS ASSEMBLED. THANK YOU!!

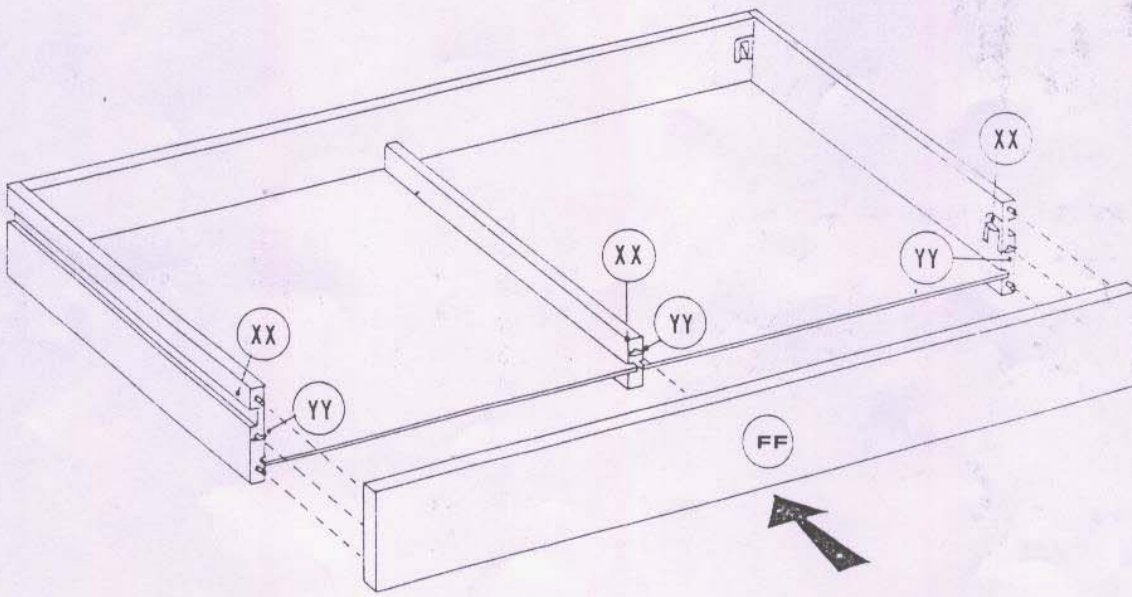
PICTURE 2 A



PICTURE 2



PICTURE 3



WARNING: FAILURE TO FOLLOW THESE WARNINGS AND THE ASSEMBLY INSTRUCTIONS COULD RESULT IN SERIOUS INJURY OR DEATH.

*** READ ALL INSTRUCTIONS BEFORE ASSEMBLING CRIB. KEEP INSTRUCTIONS FOR FUTURE USE.**

*** BEFORE EACH USAGE, OR ASSEMBLY, INSPECT CRIB FOR DAMAGED HARDWARE, LOOSE JOINTS, MISSING PARTS OR SHARP EDGES.**

DO NOT USE CRIB IF ANY PARTS ARE MISSING OR BROKEN. ASK YOUR DEALER OR WRITE TO (MANUFACTURER) FOR REPLACEMENT PARTS AND INSTRUCTIONAL LITERATURE IF NEEDED. DO NOT SUBSTITUTE PARTS.

- * AFTER RAISING SIDE, MAKE SURE LATCHES ARE SECURE.**
- * WHEN CHILD IS ABLE TO CLIMB OUT OR REACHES THE HEIGHT OF 35 INCHES (90 CM), THE CRIB SHALL NO LONGER BE USED**
- * DO NOT PLACE CRIB NEAR WINDOW WHERE CORDS FROM BLINDS OR DRAPES MAY STRANGLE A CHILD.**
- * IF REFINISHING, USE A NON-TOXIC FINISH SPECIFIED FOR CHILDREN'S PRODUCTS.**
- * DO NOT LEAVE CHILD IN CRIB WITH SIDE LOWERED. BE SURE SIDE IS RAISED AND LOCKED IN POSITION WHENEVER CHILD IS IN CRIB.**
- * WHEN CHILD IS ABLE TO PULL TO STANDING POSITION, SET MATTRESS TO LOWEST POSITION, AND REMOVE BUMPER PADS,**

LARGE TOYS AND OTHER OBJECTS THAT COULD SERVE AS STEPS FOR CLIMBING OUT.

- * NEVER USE PLASTIC SHIPPING BAGS OR OTHER PLASTIC FILM AS MATTRESS COVERS BECAUSE THEY CAN CAUSE SUFFOCATION.**
- * DO NOT USE A WATER MATTRESS WITH THIS CRIB.**
- * CARE: CLEAN ONLY WITH DRY CLOTH. DO NOT USE ANY CHEMICALS TO CLEAN CRIB.**
- * STORAGE: STORE CRIB IN A DRY, COOL, CLEAN ENVIRONMENT.**

*** WARNING: STRINGS CAN CAUSE STANGULATION!**

DO NOT PLACE ITEMS WITH A STRING AROUND A CHILD'S NECK, SUCH AS HOOD STRINGS OR PACIFIER CORDS.

**DO NOT SUSPEND STRINGS OVER
A CRIB OR ATTACH STRINGS TO
TOYS.**

**IMPORTANT FOR YOUR CHILD'S
SECURITY**

**WARNING: CRIB MATTRES
DIMENSIONS SHOULD
NOT BE LESS THAN 27-1/4
INCHES x 51-5/8 INGHES,
WITH A TICKNESS NOT TO
EXCEED 6 INCHES.
(MATTRESS TO BE
MEASURED SEAM TO
SEAM).**

THE DIMENSION FROM THE TOP OF THE MATTRESS TO THE TOP OF THE SIDE, WHEN THE SIDE IS IN ITS LOWEST POSITION SHOULD BE A MINIMUM OF 3 INCHES. THIS CAN BE OBTAINED BY LOWERING THE MATTRESS SUPPORT TO A POINT WHERE THIS OCCURS SATISFACTORILY. AS YOUR BABY GROWS AND BE COMES ACTIVE AND MOBILE, BE SURE TO LOWER THE SPRING AND MATTRESS TO THE BOTTOM POSITION. WHEN YOUR CHILD REACHES A HIGHT OF 35 INCHES, HE SHOULD BE PLACED IN A YOUTH BED, OR A REGULAR BED.

WARNING: SHOULD YOU REFINISH YOUR CRIB IN LATER YEARS, USE ONLY A NON - TOXIC PAINT. (LEAD FREE).

WARNING: A PERIODIC CHECK SHOULD BE MADE OF ALL SCREWS AND TIGHTEN IF NEEDED.

WARNING: NEVER LEAVE YOUR BABY UNATTENDED WHILE THE CRIB SIDE IS LOWERED!

WARNING: DO NOT TIE PACIFIERS, NECKLACES, OR ANY OTHER ITEMS AROUND A CHILD'S NECK OR ON THE CRIB PARTS. THIS COULD CAUSE STRANGULATION.

WARNING: STRINGS CAN CAUSE STRANGULATION!

DO NOT PLACE ITEMS WITH A STRING AROUND A CHILD'S NECK, SUCH AS HOOD STRINGS OR PACIFIERS CORDS. DO NOT SUSPEND STRINGS OVER A CRIB OR ATTACH STRINGS TO TOYS.