



 **WARNING: Failure to follow these warning and the assembly instructions could result in serious injury or death.**

- To reduce the risk of SIDS, pediatricians recommend healthy infants be placed on their backs to sleep, unless otherwise advised by your physician.
- Infants can suffocate on soft bedding. Never add a pillow or comforter. Never place additional padding under an infant.
- Infants can suffocate in gaps between crib sides and a mattress that is too small.

**STRANGULATION HAZARD:**

- ◆ Strings can cause strangulation! DO NOT place items with a string around a child's neck, such as hood strings or pacifier cords. DO NOT suspend strings over a crib or attach strings to toys.
- ◆ To help prevent strangulation tighten all fasteners. A child can trap parts of the body or clothing on loose fasteners.
- ◆ DO NOT place crib near window where cords from blinds or drapes may strangle a child.

**FALL HAZARD:**







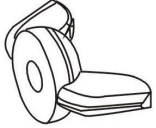





- \* When child is able to pull to a standing position, set mattress to lowest position and remove bumper pads, large toys and other objects that could serve as steps for climbing out.
- \* Stop using crib when child begins to climb out or reaches the height of 35 in. (89 cm).

- Check this product for damaged hardware, loose joints, loose bolts or other fasteners, missing parts, or sharp edges before and after assembly and frequently during use. Securely tighten loose bolts and other fasteners. DO NOT use crib if any parts are missing, damaged or broken. Contact Barry Imports East Corp. for replacement parts and instructional literature if needed. DO NOT substitute parts.
- If refinishing, use a non-toxic finish specified for children's products.
- Never use plastic shipping bags or other plastic film as mattress covers because they can cause suffocation.
- Do not use a water mattress with this crib.
- Follow warnings on all products in a crib.
- This crib conforms to applicable regulations promulgated by the Consumer Product Safety Commission.

**CAUTION:**


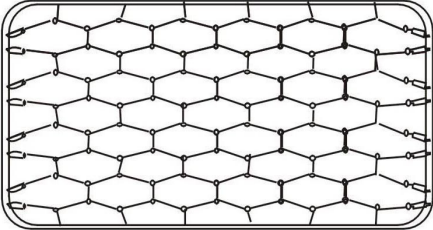


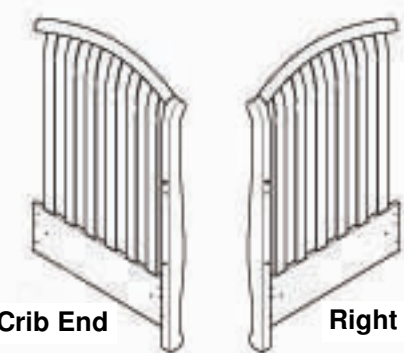

**Any mattress used in this crib shall be at least 27 1/4 inches (69cm) by 51 5/8 inches (131cm) with a thickness not exceeding 6 inches (15cm).**

# CRIB HARDWARE



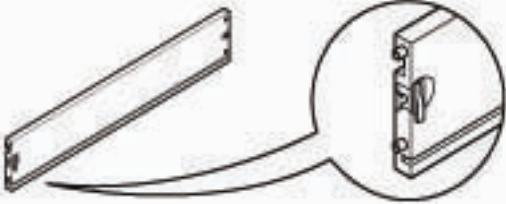
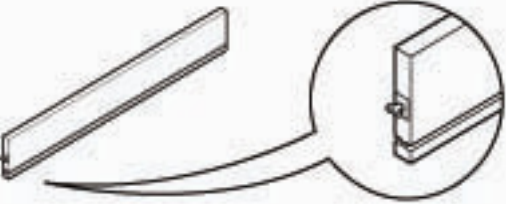
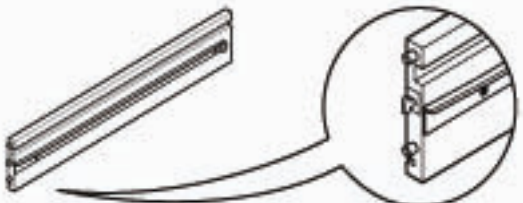
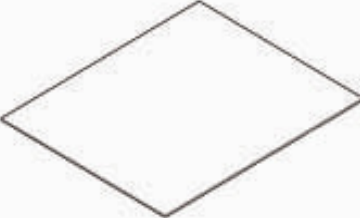
<b>A</b> 	<b>B</b> 	<b>C</b> 	<b>D</b> 	<b>E</b> 	<b>F</b> 
<b>G</b> 	<b>H</b> 	<b>I</b> 	<b>J</b> 	<b>K</b> 	<b>L</b> 
<div style="border: 1px solid black; padding: 10px; width: fit-content; margin: 0 auto;"> <p><b>TOOLS REQUIRED FOR ASSEMBLY:</b></p> <p>Metric Allen Wrench( Included)</p> <p>Standard Size Screwdriver (Not included)</p> </div>					

Hardware	Quantity	Hardware	Quantity
A Allen head bolt 1-1/4"	4	I Cam screw	12
B Allen Wrench	1	J Self Locking washer	28
C Barrel Nut	8	K Smaller metal washer	12
D Bigger Metal Washer	8	L Allen head bolt 4"	8
E Screw(for crib drawer)	12		
F Allen head bolt 2"	8		
G Wing Nut	8		
H Phillips head screw 1-3/8"	8		

## CRIB PARTS

DRAWING	QTY	DESCRIPTION
	2	Stabilizer Bars
	1	Mattress Support Spring
	1	Dust Cover
	2	Stationary Rail
 <p data-bbox="201 1734 375 1759">Left Crib End</p> <p data-bbox="591 1734 781 1759">Right Crib End</p>	1	Left Crib End
	1	Right Crib End
	2	Drawer Metal Guide

## ADDITIONAL PARTS

DRAWING	QTY	DESCRIPTION
	1	Drawer Front
	1	Drawer Back
	1	Left Drawer Side
	1	Drawer Center
	1	Right Drawer Side
	2	Drawer Bottom Board

# ASSEMBLY INSTRUCTIONS

## **STEP 1-Drawer Glides Assembly**

### Diagram 1:

Unpack and familiarize yourself with all parts and components by comparing them with the pictures and descriptions on pages 4,5,6.

Mounting the drawer guides to the bottom of the left crib end and right crib end. Using Allen wrench **B**, mount the two drawer guides to the bottom of the left crib end and right crib end *with screws(A) , self locking washer (J), and small metal washer (K) like DIAGRAM 1/B* in the lowest holes on the inside of the end panels. Tighten screws.

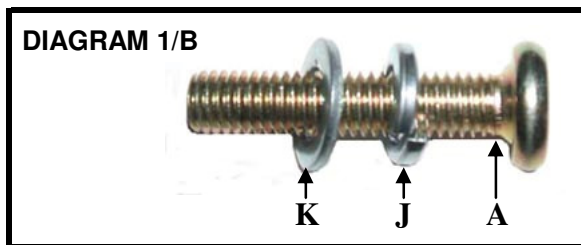


DIAGRAM 1

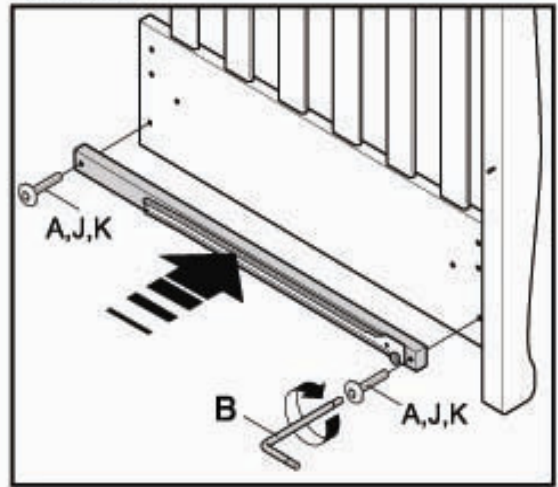
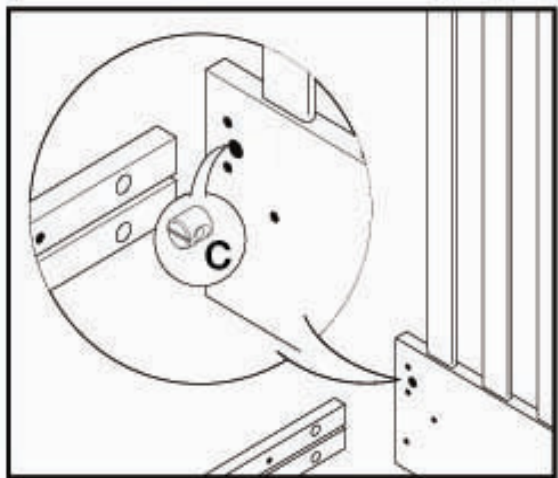


DIAGRAM 1/A



## **STEP 2-Stabilizer Bars Assembly**

### Diagram 2:

Attach stabilizer bars (Page 5) to the right crib end. From the outside of the right crib end insert *screws (L) ,self locking washer (J), and big metal washers(D) like DIAGRAM 2/A* through holes provided and into stabilizer bar. Insert barrel nut (C) into stabilizer bar and thread *screws (L) ,self locking washer (J), and big metal washers(D)* into nuts (C). Tighten until snug with allen wrench (B). Repeat for the left crib end.

Lie dust cover(thin masonite board) on top of dust cover supports, on inside of the stabilizer bars.

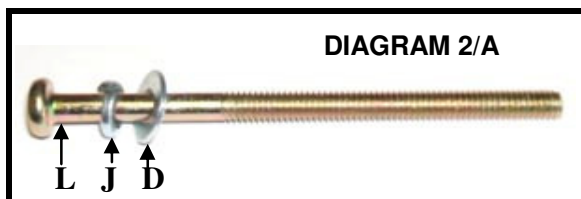
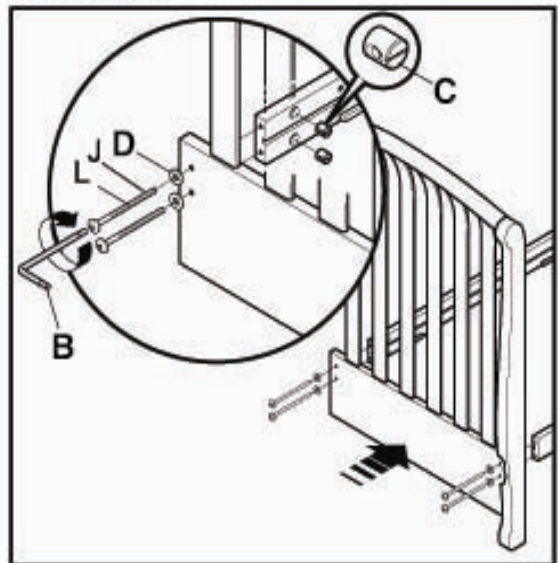


DIAGRAM 2



# ASSEMBLY INSTRUCTIONS

## **STEP 3-Mattress Support Assembly**

### Diagram 3:

To attached the mattress support spring, carefully place the spring frame in the crib so it rests on the stabilizer bars. Attach lower portions of the brackets to stabilizer bar using 4 screws (H), 4 self locking washers (J), and 4 wing nuts (G) like DIAGRAM 3/A. Tighten with a phillips screw driver (Not included)

Note: Wing nuts should be installed with self locking washers on inside of the stabilizer bars.

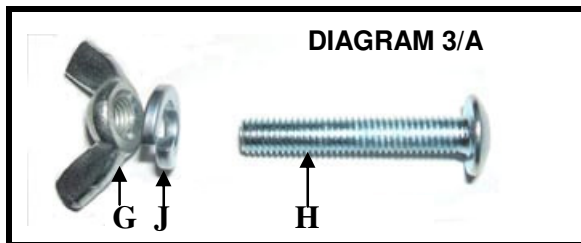
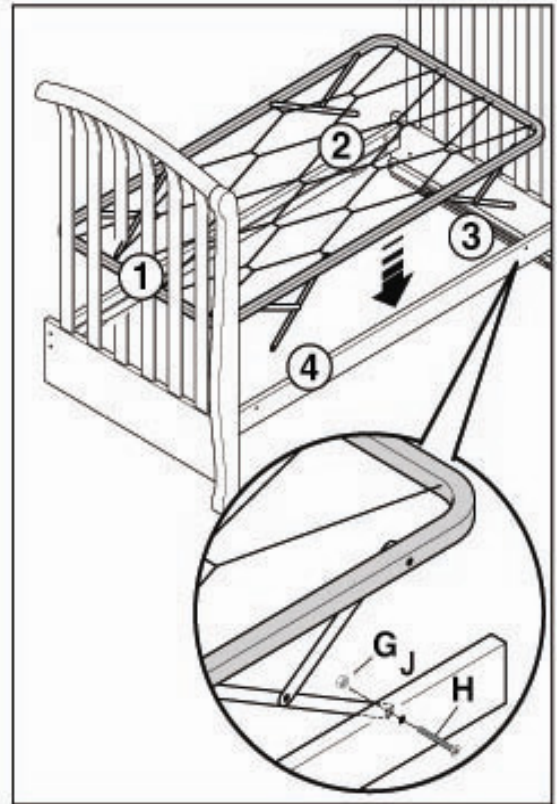


DIAGRAM 3

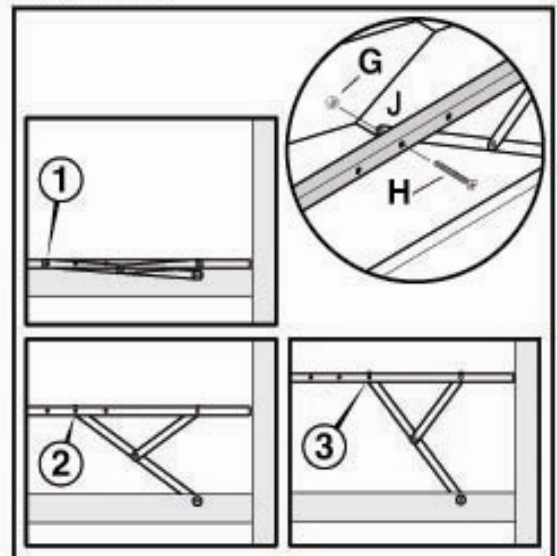


### Diagram 4:

The mattress support spring has three height positions. Use 4 screws (H), 4 self locking washers (J), and 4 wing nuts (G) to mount upper arm of bracket to desired height. (DIAGRAM 3/A)

Note: Wing nuts should be installed with self locking washers on inside of the stabilizer bars.

DIAGRAM 4



- ① LOWEST POSITION
- ② MIDDLE POSITION
- ③ HIGHEST POSITION

# ASSEMBLY INSTRUCTIONS

## **STEP 4- Stationary Rails Assembly**

### Diagram 5:

Position the front stationary rail against the ends of the crib. Insert *screws F*, *self locking washer (J)*, and *small metal washer (K)* like **DIAGRAM 5/A** through the holes of the front rail and tighten with the allen wrench **B**. Repeat for the back stationary rail.

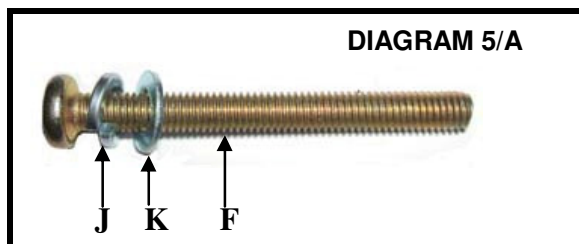
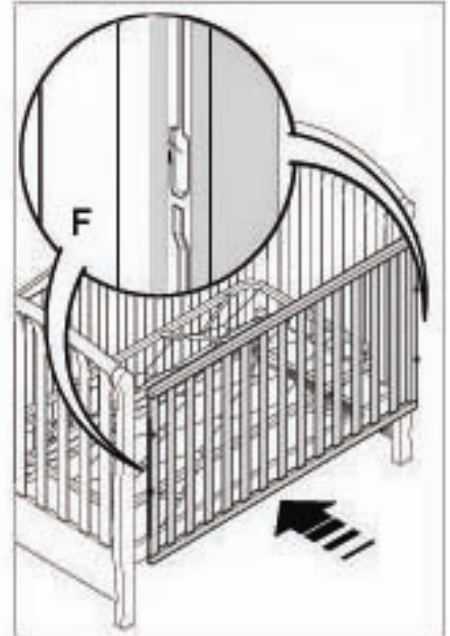


DIAGRAM 5



### DISASSEMBLE THE STATIONARY RAILS

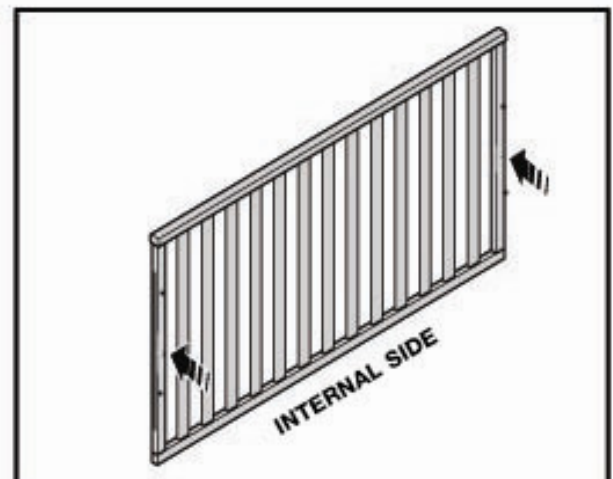
Remove all 4 screws **F** from the stationary rail using allen wrench **B** and the rail will come off.

### Diagram 6:

#### **IMPORTANT:**

The Stationary Rail must be fitted with the reference marks facing the interior of the crib.

DIAGRAM 6



# DRAWER ASSEMBLY INSTRUCTIONS

## Diagram 7:

Screw in all 6 piece screws (E) into drawer back panel, put 6 cam screws(I) into drawer right side, left side, and drawer center piece. Make sure cam screws(I) are in open position.

## Diagram 8:

Attache drawer sides and drawer center to the drawer back. Use screwdriver to turn the cam screw(I) to lock into place. Insert two drawer bottom boards into channels.

## Diagram 9:

First screw all 6 screws (E) into drawer front, then attach the drawer front to drawer sides and center. Turn the barrel nuts to lock.

## Diagram 10:

Slide drawer into guides on crib end panels (wheel to wheel).

DIAGRAM 7

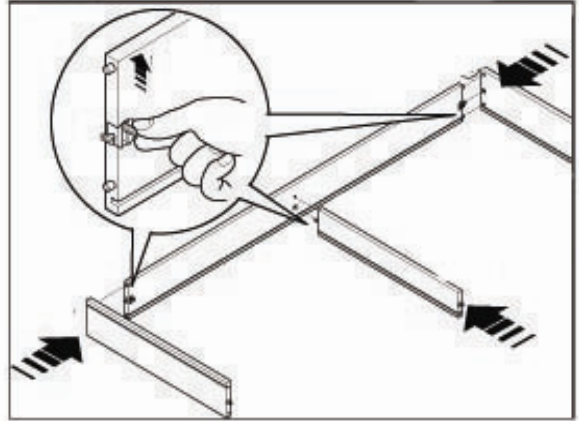


DIAGRAM 8

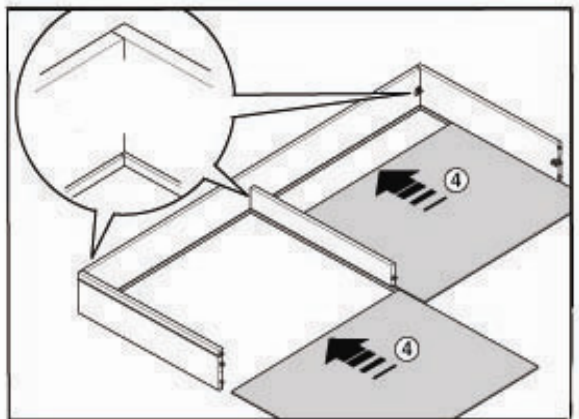


DIAGRAM 9

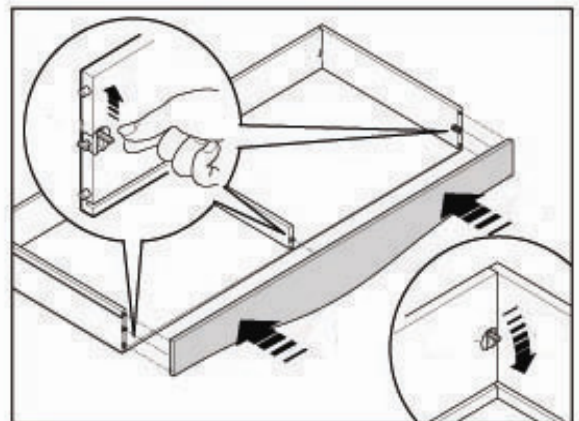


DIAGRAM 10



## **CARE AND MAINTENANCE**

### **Maintenance:**

After completing the assembly process, you are advised to read and be aware of all WARNINGS, CAUTIONS, CLEANING, STORAGE, USE AND MAINTENANCE notices contained in these instructions.

Check this product for damaged hardware, loose joints, loose bolts or other fasteners, missing parts, or sharp edges before and after assembly and frequently during use.

Securely tighten loose bolts and other fasteners. DO NOT use crib if any parts are missing, damaged or broken. DO NOT substitute parts. DO NOT make any alteration to this crib.

Use care when using a vaporizer or humidifier around the crib. Do not aim the vapor at the crib or any other wooden furniture in the nursery. Avoid using vaporizers or humidifiers for extended periods of time.

Your crib has a durable and protective non-toxic finish. However, if you decide to refinish it, you must use a non-toxic finish specified for children's products. Do not use any toxic stripping methods to remove the old finish.

### **Cleaning:**

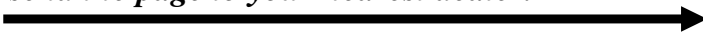
To clean the crib, wipe with a damp cloth and immediately dry the surface. Do not use any chemical cleaners or polishes. Such products can leave a residue on the finish and come in contact with your child. NO ABRASIVES, SCOURING PADS, STEEL WOOL, OR COARSE RAGS should be used to clean this fine furniture.

### **Storage:**

Keep instructions for future use. Store the instruction manual in the supplied envelope attached to mattress support for future reference. Wood is a natural material. As such, it can be affected by changes in temperature and humidity. Extreme changes in humidity and temperature can cause the wood to warp, swell, crack, or shrink, thus compromising the structural integrity of the crib and making it dangerous to use. Do not store furniture in damp basements or hot attics. Allow for plenty of air movement around the furniture, and do not stack it.

Do not store excess hardware in the paper pouch attached to mattress support as it could present danger to a child if retrieved and it could also puncture the crib mattress.



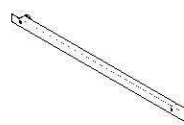
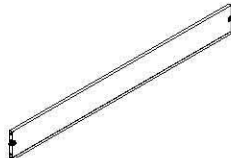
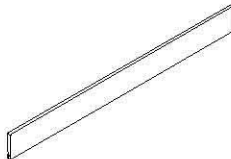
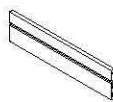
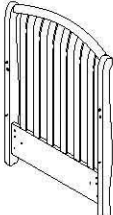
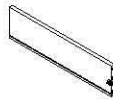
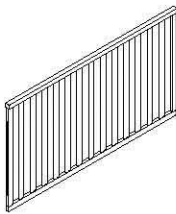


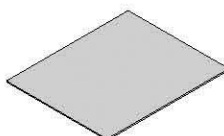
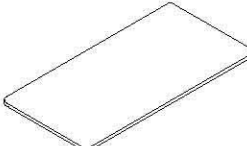
*Use the Page opposite to order spare parts.  
Simply cut along the dotted line and give or  
send the page to your nearest dealer.*



# LIST OF REPLACEMENT PARTS

FOR CRIB MODEL \_\_\_\_\_

COLOUR \_\_\_\_\_

	<p>④  Stabilizer bar <input type="checkbox"/> Quantity <input type="checkbox"/></p>
	<p>⑤  Drawer guide left <input type="checkbox"/> Quantity <input type="checkbox"/></p>
	<p>⑥  Drawer guide right <input type="checkbox"/> Quantity <input type="checkbox"/></p>
	<p>⑦  Drawer back <input type="checkbox"/> Quantity <input type="checkbox"/></p>
	<p>⑧  Drawer front <input type="checkbox"/> Quantity <input type="checkbox"/></p>
	<p>⑨  Drawer left side <input type="checkbox"/> Quantity <input type="checkbox"/></p>
<p>①  Crib End <input type="checkbox"/> Quantity <input type="checkbox"/></p>	<p>⑩  Drawer right side <input type="checkbox"/> Quantity <input type="checkbox"/></p>
<p>②  Stationary Rail <input type="checkbox"/> Quantity <input type="checkbox"/></p>	<p>⑪  Drawer center <input type="checkbox"/> Quantity <input type="checkbox"/></p>
<p>③  Mattress Support <input type="checkbox"/> Quantity <input type="checkbox"/></p>	<p>⑫  Drawer bottom board <input type="checkbox"/> Quantity <input type="checkbox"/></p>
	<p>⑬  Dust cover <input type="checkbox"/> Quantity <input type="checkbox"/></p>

Use this page to order spare parts.  
Simply cut along the dotted line and give  
or send the page to your nearest dealer.