



WARNING: Failure to follow these warning and the assembly instructions could result in serious injury or death.

- To reduce the risk of SIDS, pediatricians recommend healthy infants be placed on their backs to sleep, unless otherwise advised by your physician.
- Infants can suffocate on soft bedding. Never add a pillow or comforter. Never place additional padding under an infant.
- Infants can suffocate in gaps between crib sides and a mattress that is too small.

STRANGULATION HAZARD:

- ◆ Strings can cause strangulation! DO NOT place items with a string around a child's neck, such as hood strings or pacifier cords. DO NOT suspend strings over a crib or attach strings to toys.
- ◆ To help prevent strangulation tighten all fasteners. A child can trap parts of the body or clothing on loose fasteners.
- ◆ DO NOT place crib near window where cords from blinds or drapes may strangle a child.

FALL HAZARD:

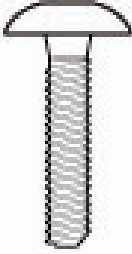


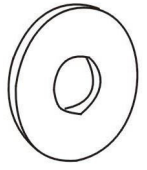


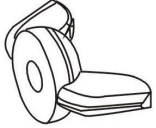








- * When child is able to pull to a standing position, set mattress to lowest position and remove bumper pads, large toys and other objects that could serve as steps for climbing out.
- * Stop using crib when child begins to climb out or reaches the height of 35 in. (89 cm).

- Check this product for damaged hardware, loose joints, loose bolts or other fasteners, missing parts, or sharp edges before and after assembly and frequently during use. Securely tighten loose bolts and other fasteners. DO NOT use crib if any parts are missing, damaged or broken. Contact Barry Imports East Corp. for replacement parts and instructional literature if needed. DO NOT substitute parts.
- If refinishing, use a non-toxic finish specified for children's products.
- Never use plastic shipping bags or other plastic film as mattress covers because they can cause suffocation.
- Do not use a water mattress with this crib.
- Follow warnings on all products in a crib.
- This crib conforms to applicable regulations promulgated by the Consumer Product Safety Commission.

CAUTION:






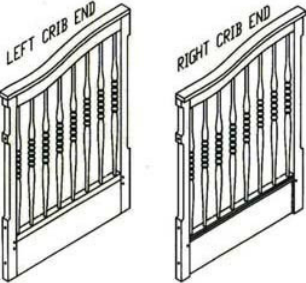

Any mattress used in this crib shall be at least 27 1/4 inches (69cm) by 51 5/8 inches (131cm) with a thickness not exceeding 6 inches (15cm).

CRIB HARDWARE



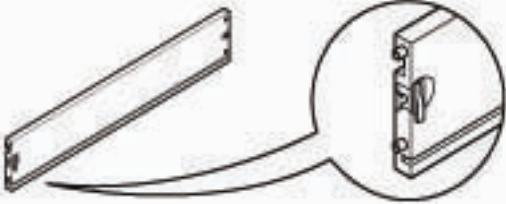
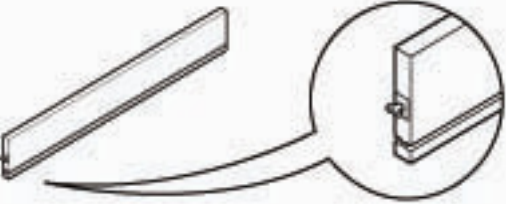
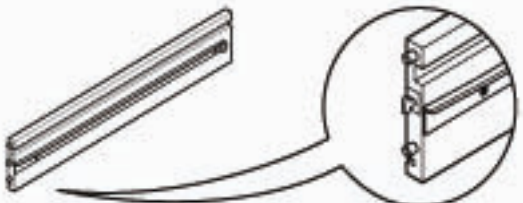
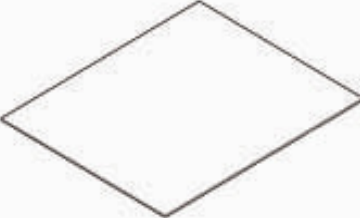
A	B	C	D	E	F
					
G	H	I	J	K	L
					
M	N	O	<div style="border: 1px solid black; padding: 10px; margin: 10px auto; width: 80%;"> <p>TOOLS REQUIRED FOR ASSEMBLY:</p> <p>Metric Allen Wrench(Included)</p> <p>Standard Size Screwdriver (Not included)</p> </div>		
					

Debby Crib Hardware		Quantity	Debby Crib Hardware		Quantity
A	Allen head bolt 1-1/4"	4	I	Cam screw	12
B	Allen Wrench	1	J	Self Locking washer	28
C	Barrel Nut	8	K	Small metal washer	8
D	Big Metal Washer	12	L	Allen head bolt 4"	8
E	Screw(For crib drawer)	12	M	Allen head bolt 3"	4
F	Allen head bolt 2"	4	N	Wood plug	2
G	Wing Nut	8	O	Wooden locator pins	4
H	Phillips head screw 1-3/8"	8			

CRIB PARTS

DRAWING	QTY	DESCRIPTION
	2	Stabilizer Bars
	1	Mattress Support Spring
	1	Dust Cover
	1	Headboard
	1	Footboard
	1	Left Crib End
	1	Right Crib End
	2	Drawer Metal Guide

ADDITIONAL PARTS

DRAWING	QTY	DESCRIPTION
	1	Drawer Front
	1	Drawer Back
	1	Left Drawer Side
	1	Drawer Center
	1	Right Drawer Side
	2	Drawer Bottom Board

ASSEMBLY INSTRUCTIONS

STEP 1-Drawer Glides Assembly

Diagram 1:

Unpack and familiarize yourself with all parts and components by comparing them with the pictures and descriptions on pages 4,5,6.

Mounting the drawer guides to the bottom of the left crib end and right crib end. Using Allen wrench **B**, mount the two drawer guides to the bottom of the left crib end and right crib end *with screws(A) , self locking washer (J), and small metal washer (K)* like **DIAGRAM 1/B** in the lowest holes on the inside of the end panels. Tighten screws.

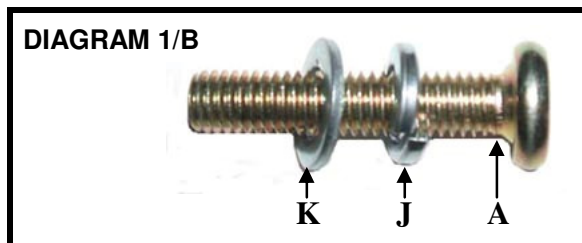


DIAGRAM 1

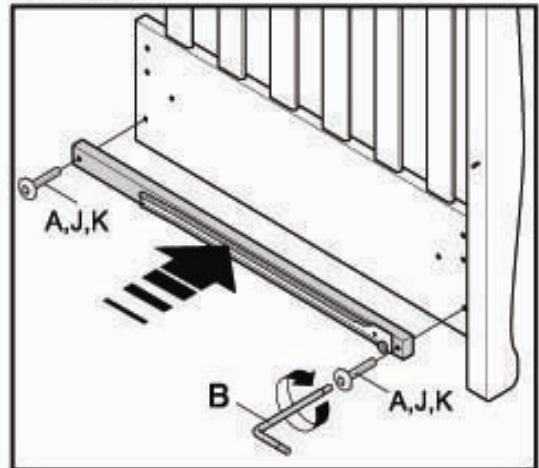
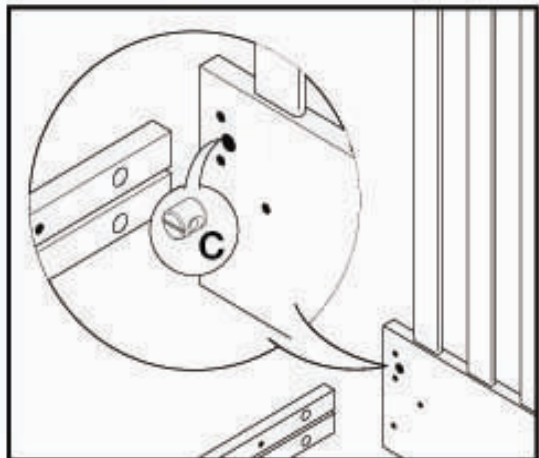


DIAGRAM 1/A



STEP 2-Stabilizer Bars Assembly

- (1). Position the stabilizer bars so that the four large holes face the inside of the crib. The two smaller holes for the spring deck should be at the top.
- (2). Place a barrel nut (C) in the hole, with the slat aligned horizontally.
- (3). Place a self locking washer(J), big metal washer (D) on the allen head bolt (L) Like DIAGRAM 2/A, then put the bolt through the crib end and thread it into the barrel nut.
- (4). Use the allen wrench (B) to securely tighten the bolt.
- (5). Repeat with the remaining 7 holes.
- (6). Lie dust cover(thin masonite board) on top of dust cover supports, on inside of the stabilizer bars.

REQUIRED HARDWARE

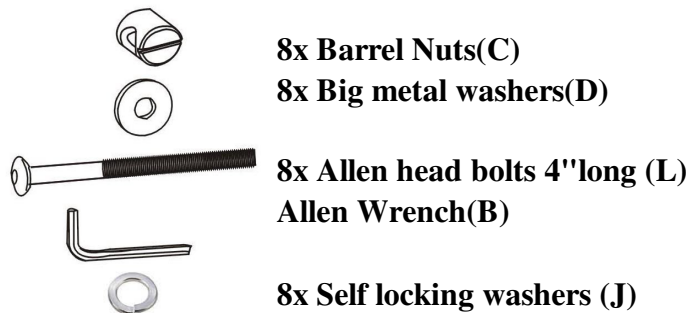
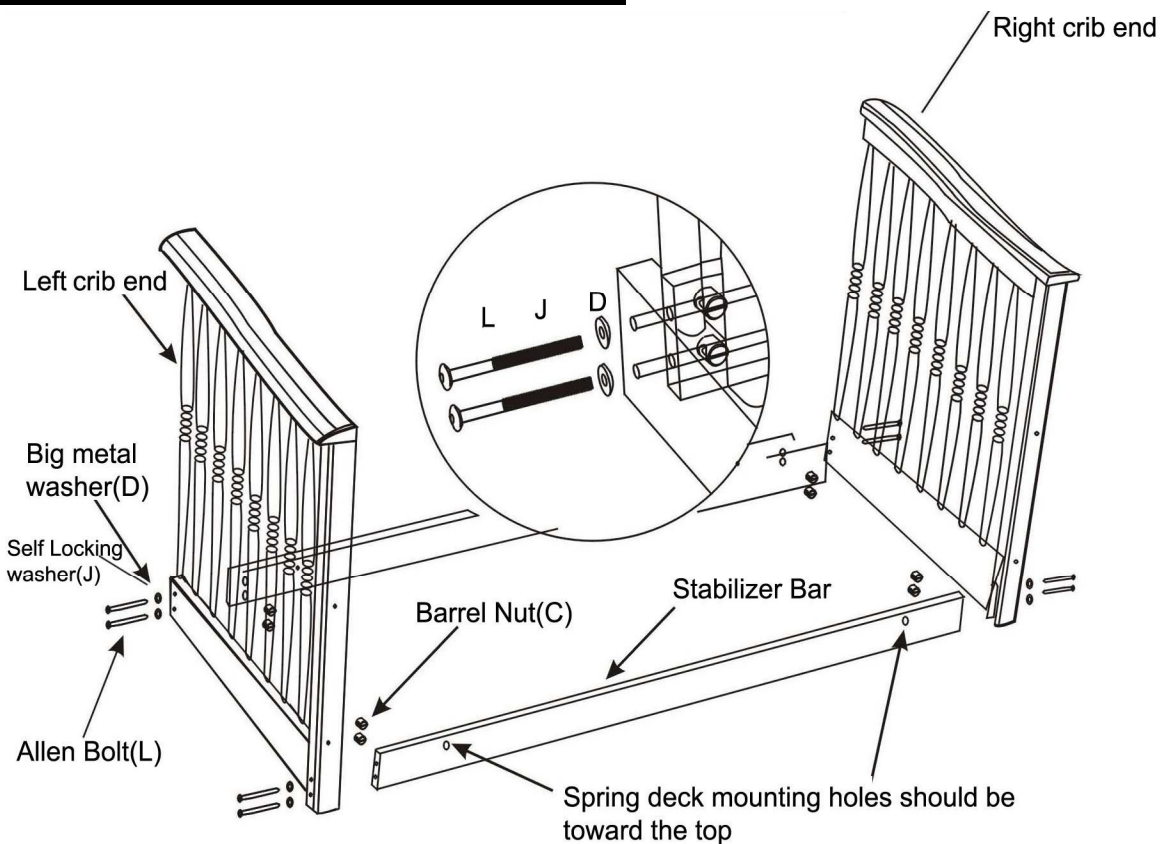
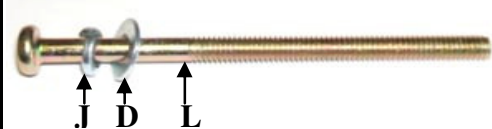





DIAGRAM 2/A

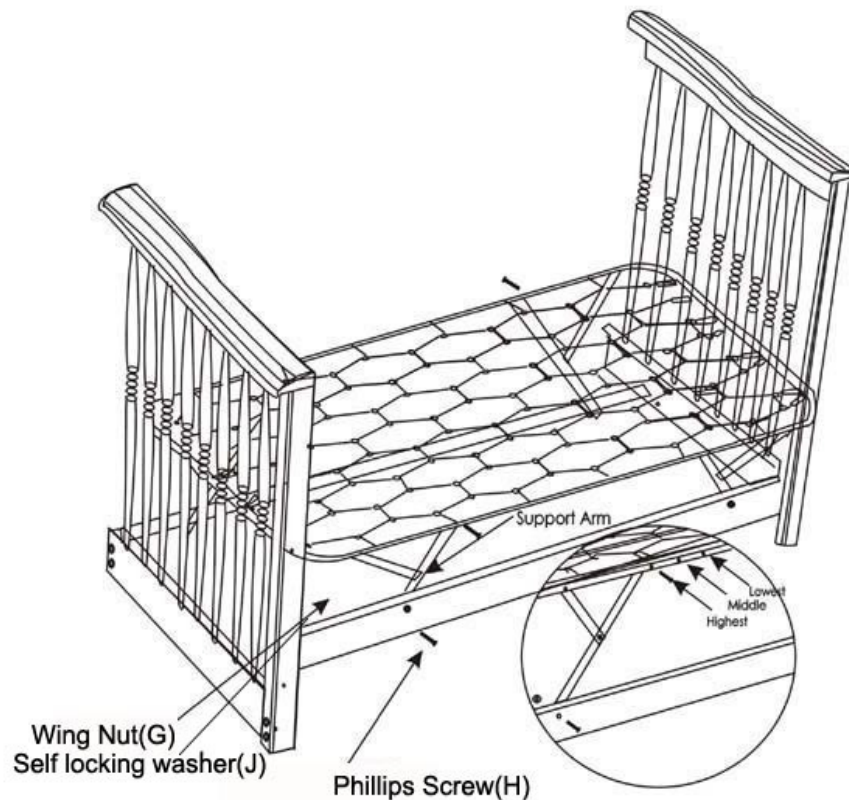
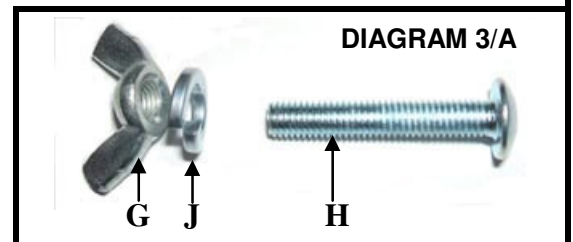


STEP 3-Matress Support Assembly

- (1). Open all 4 support arms on the spring platform as shown in the drawing.
- (2). Place a screw through the stabilizer bar as shown , then through the support arm on the spring. Thread on a *self locking washer(J)*, a *wing nut(G)* like **DIAGRAM 3/A** and tighten with a phillips screw driver(Not included).
- (3). Repeat for the remaining three support arms.
- (4). Set the spring to the desired height by adjusting the support arms. The spring should be at its highest setting for newborns, then adjusted to the lower positions as the child grows and becomes mobile. Once the child is able to stand, the spring should be at its lowest positions.
- (5). Insert a screw through the appropriate hole in the frame, then though the support arm, and thread on a wing nut, tightening it securely.
- (6). Repeat for the remaining three support arms.

REQUIRED HARDWARE

-  8x Phillips head screws (H)
-  8x Wing Nuts(G)
-  8x Self locking washers (J)



STEP 4- Headboard and Footboard Assembly

(1). Align the wooden locator pins that are near the bottom of the crib ends with the lower holes that are drilled in the front of the headboard posts.

(2). Place a *self locking washer(J)*, *big metal washer(D)* on the allen head bolt(M) Like **DIAGRAM 4/A**, then thread the bolt M through the back of the headboard. Align the bolts with the metal inserts in the crib ends and tighten with the allen wrench(B) that is provided.

(3). Align the wooden locator pins on the front of the crib ends with holes that are drilled near the bottom of the footboard. *Insert screws F, self locking washer (J), and small metal washer (K)* like **DIAGRAM 4/B** through the back of the front posts of the crib ends. Align the bolts with the inserts that are in the back of the footboard and tighten with the allen wrench(B) that is provided.

(4). After completing assembly and after you have read the entire instructions booklet, store instructions in the provided envelop attached to the mattress spring foundation. **KEEP INSTRUCTIONS WITH THE CRIB.** Install a crib mattress, which must be at least 27 1/4 inches by 51 5/8 inches with a thickness not exceeding 6 inches.

REQUIRED HARDWARE



4x Big Metal Washers (D)



4x Allen head bolts 3" long (M)



Allen Wrench (B)



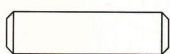
8x Self locking washers (J)



4x Allen head bolts 2" long (F)



4x Small metal washers (K)



4x Wooden locator pins(O)

DIAGRAM 4/A

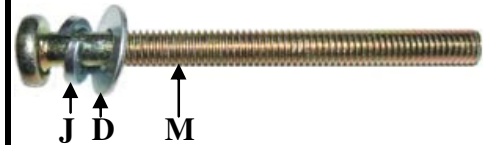
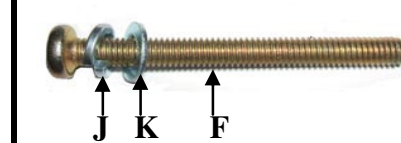
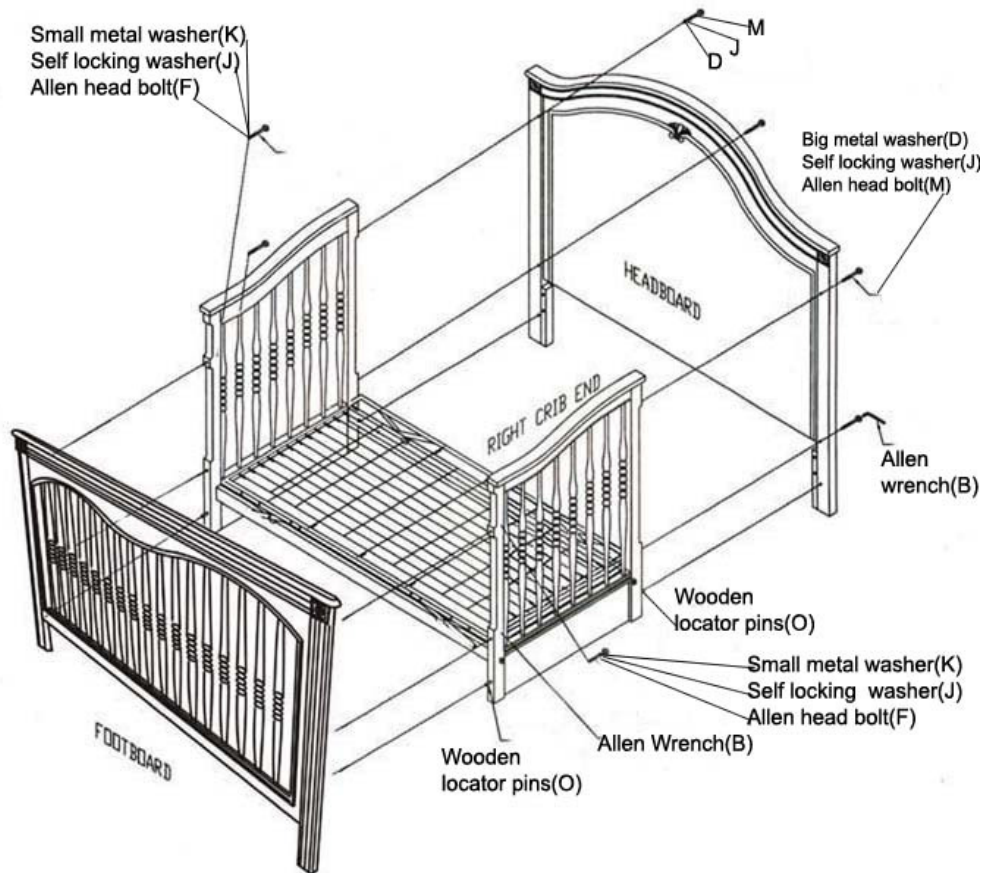


DIAGRAM 4/B





INSTRUCTIONS FOR CONVERSION TO FULL SIZE (4/6) BED

STEP 1: Disassemble Crib or Toddler/Day Bed

1. Using the allen wrench that is provided, remove the 8 allen head bolts that attached the headboard and footboard or toddler bed/bed conversion kit assembly. Remove the headboard and footboard/ conversion kit from the crib ends.
2. Refer to page 7~10 of these instructions and reverse the assembly steps to disassemble the crib ends and crib mattress support spring from the stabilizer rails.
3. Store all hardware in the paper pouch that is attached to the crib mattress support and store all parts safely to prevent any damage from occurring to them during storage.

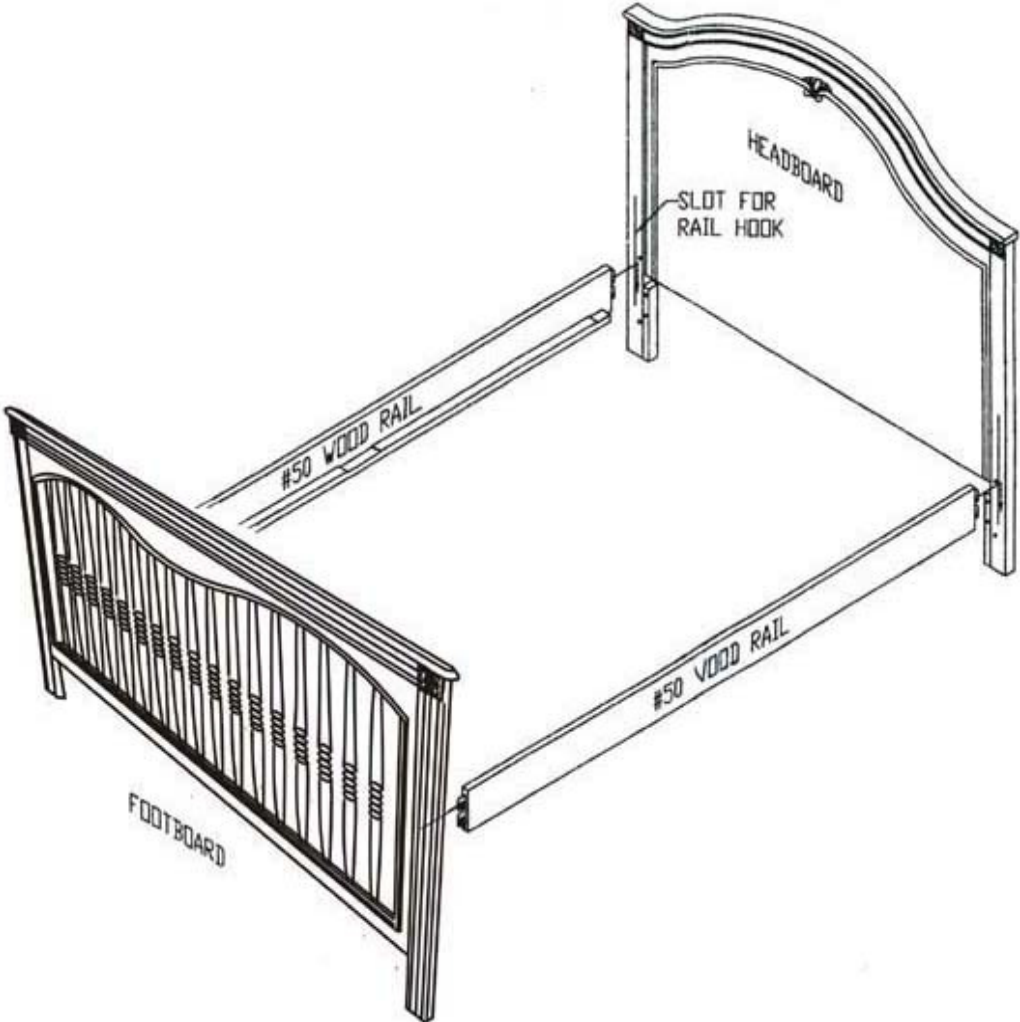
STEP 2: Attach #50 Wood rails to Headboard and Footboard into Groove.

Install the #50 wood rails onto the headboard and footboard as shown in the drawing. After installing the rails, press downward on the rails to "Lock" them into position.

STEP 3: Install Slats

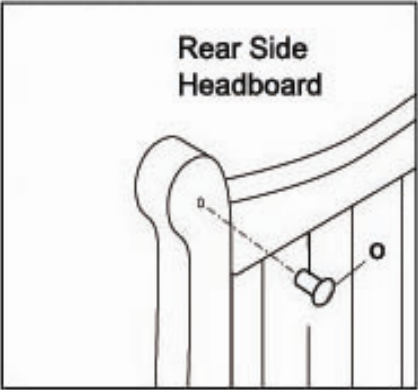
- (1). Lay the slats on top inside of the wood rail strip.
- (2). Screw the slats onto the wood rail strip.

INSTRUCTIONS FOR CONVERSION TO FULL SIZE (4/6) BED



MASKING THE HOLES ON THE HEADBOARD

Insert wood plugs into the holes on the headboard to cover the holes.



DRAWER ASSEMBLY INSTRUCTIONS

Diagram 1:

Screw in all 6 pcs screws (E) into drawer back panel, put 6 cam screws(I) into drawer right side, left side, and drawer center piece. Make sure cam screws(I) are in open position.

Diagram 2:

Attache drawer sides and drawer center to the drawer back. Use screwdriver to turn the cam screw(I) to lock into place. Insert two drawer bottom boards into channels.

Diagram 3:

First screw all 6 screws (E) into drawer front, then attach the drawer front to drawer sides and center. Turn the barrel nuts to lock.

Diagram 4:

Slide drawer into guides on crib end panels (wheel to wheel).

DIAGRAM 1

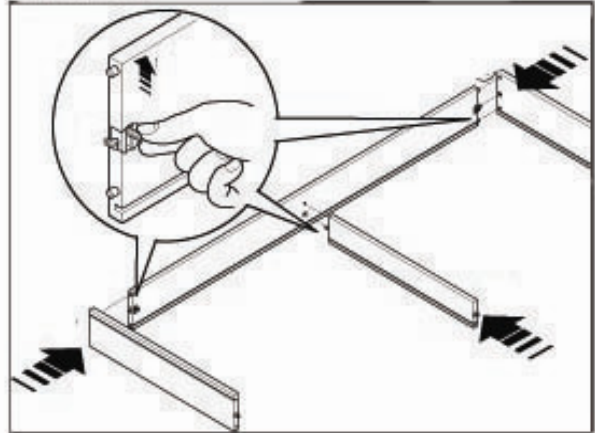


DIAGRAM 2

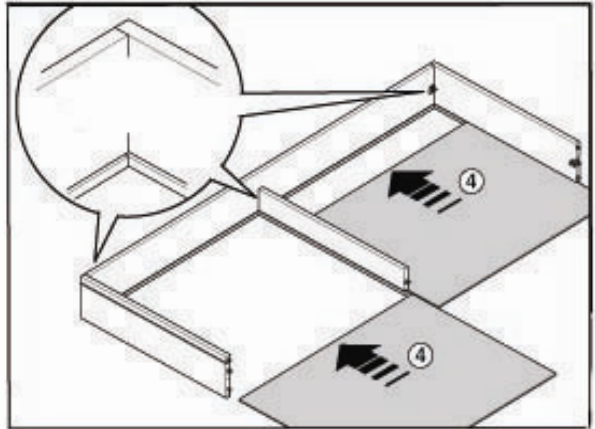
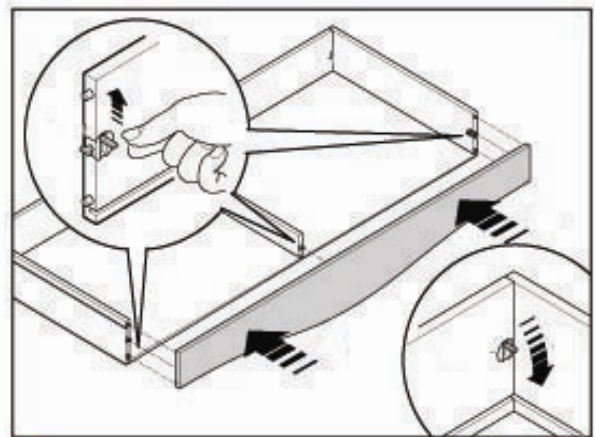


DIAGRAM 4



DIAGRAM 3



CARE AND MAINTENANCE

Maintenance:

After completing the assembly process, you are advised to read and be aware of all WARNINGS, CAUTIONS, CLEANING, STORAGE, USE AND MAINTENANCE notices contained in these instructions.

Check this product for damaged hardware, loose joints, loose bolts or other fasteners, missing parts, or sharp edges before and after assembly and frequently during use.

Securely tighten loose bolts and other fasteners. DO NOT use crib if any parts are missing, damaged or broken. DO NOT substitute parts. DO NOT make any alteration to this crib.

Use care when using a vaporizer or humidifier around the crib. Do not aim the vapor at the crib or any other wooden furniture in the nursery. Avoid using vaporizers or humidifiers for extended periods of time.

Your crib has a durable and protective non-toxic finish. However, if you decide to refinish it, you must use a non-toxic finish specified for children's products. Do not use any toxic stripping methods to remove the old finish.

Cleaning:

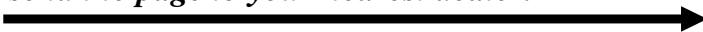
To clean the crib, wipe with a damp cloth and immediately dry the surface. Do not use any chemical cleaners or polishes. Such products can leave a residue on the finish and come in contact with your child. NO ABRASIVES, SCOURING PADS, STEEL WOOL, OR COARSE RAGS should be used to clean this fine furniture.

Storage:

Keep instructions for future use. Store the instruction manual in the supplied envelope attached to mattress support for future reference. Wood is a natural material. As such, it can be affected by changes in temperature and humidity. Extreme changes in humidity and temperature can cause the wood to warp, swell, crack, or shrink, thus compromising the structural integrity of the crib and making it dangerous to use. Do not store furniture in damp basements or hot attics. Allow for plenty of air movement around the furniture, and do not stack it.

Do not store excess hardware in the paper pouch attached to mattress support as it could present danger to a child if retrieved and it could also puncture the crib mattress.

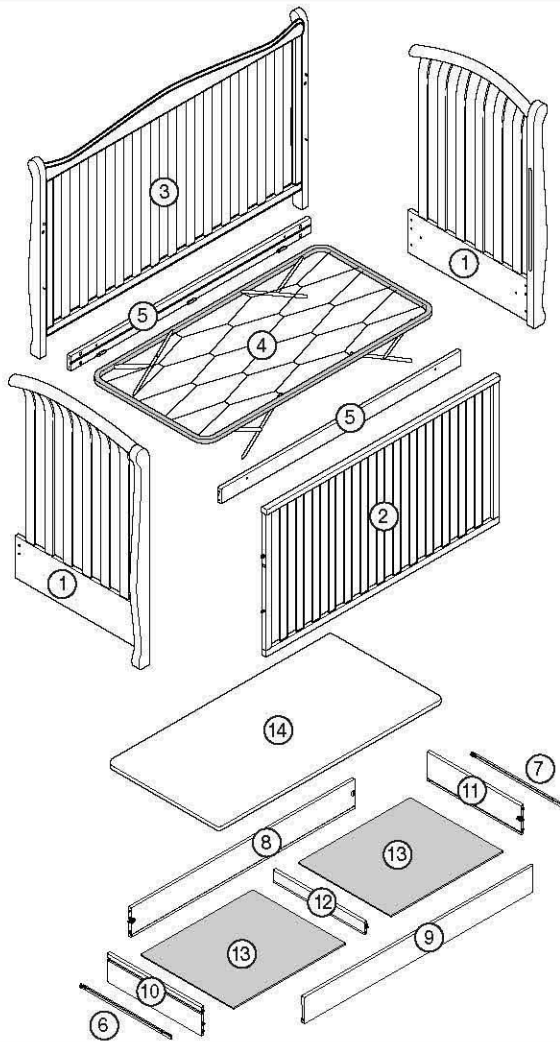
*Use the Page opposite to order spare parts.
Simply cut along the dotted line and give or
send the page to your nearest dealer.*





LIST OF REPLACEMENT PARTS

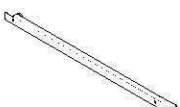
FOR CRIB MODEL _____


COLOUR _____





⑤  Stabilizer bar
Quantity

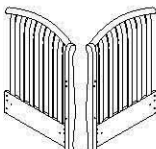
⑥  Drawer guide left
Quantity


⑦  Drawer guide right
Quantity


⑧  Drawer back
Quantity


⑨  Drawer front
Quantity


⑩  Drawer left side
Quantity

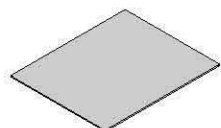
①  Crib End L Crib End R
Quantity Quantity


⑪  Drawer right side
Quantity

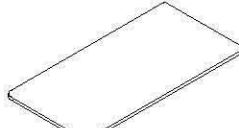
②  Footboard
Quantity

⑫  Drawer center
Quantity

③  Headboard
Quantity

⑬  Drawer bottom board
Quantity

④  Mattress Support
Quantity

⑭  Dust cover
Quantity